

## Technical Data

### Enclosure

Material: Fibre glass reinforced Polyester  
 RoHs: conform  
 Colour: black, RAL 9005  
 Dim. (LxWxH): **122x120x91 mm**  
 Weight: 750 g (empty)  
 Protection: IP 65  
 Gasket: Temperature resistant silicone  
 Lid screws: stainless steel  
 Storage temperature: -50°C up to +80°C

### Junction Box

Typ: **A21-E1-01209**  
 Type of protection: II 2G Ex e IIC T4/T6 Gb  
 II 2(1)G Ex e[ia] IIC T6 Gb  
 II 2D Ex tb IIIC T80°C  
 Certificate: TPS 07 ATEX 61951 1  
 Standard operation temperature: -20°C bis +40°C  
 Maximum operation temperature: -50°C bis +60°C

4



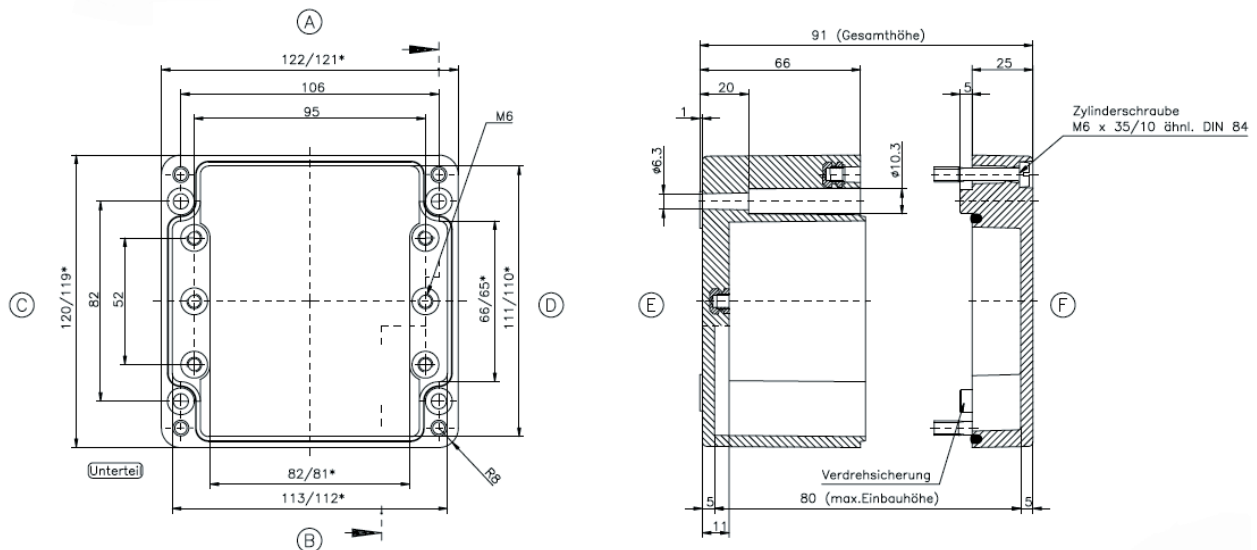
### Maximum number of threaded holes

	M16x1,5	M20x1,5	M25x1,5	M32x1,5	M40x1,5	M50x1,5	M63x1,5
face A/B	5	4	3	2	1	0	0
face C/D	3	2	2	1	0	0	0

### Maximum number of terminals

Cross section	2,5 mm <sup>2</sup>	4 mm <sup>2</sup>	6 mm <sup>2</sup>	10 mm <sup>2</sup>	16 mm <sup>2</sup>	35 mm <sup>2</sup>
Quantity	16	13	10	6	0	0

### Dimension drawing



\* smaller dimension at the height of the mounting plate