

Technical Data

Enclosure

Material: Fibre glass reinforced Polyester
 RoHs: conform
 Colour: black, RAL 9005
 Dim. (LxWxH): **160x160x91 mm**
 Weight: 1130 g (empty)
 Protection: IP 65
 Gasket: Temperature resistant silicone
 Lid screws: stainless steel
 Storage temperature: -50°C up to +80°C

Junction Box

Typ: **A21-E1-01609**
 Type of protection: II 2G Ex e IIC T4/T6 Gb
 II 2(1)G Ex e[ia] IIC T6 Gb
 II 2D Ex tb IIIC T80°C
 Certificate: TPS 07 ATEX 61951 1
 Standard operation temperature: -20°C bis +40°C
 Maximum operation temperature: -50°C bis +60°C



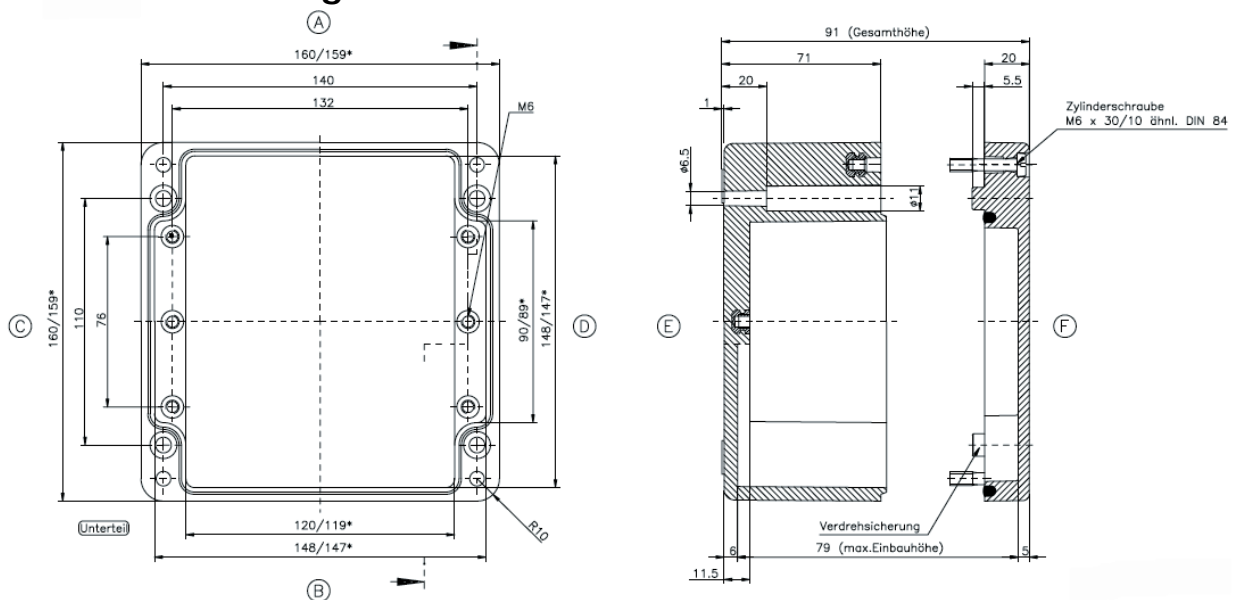
Maximum number of threaded holes

	M16x1,5	M20x1,5	M25x1,5	M32x1,5	M40x1,5	M50x1,5	M63x1,5
face A/B	8	6	4	2	2	1	0
face C/D	4	3	2	2	1	0	0

Maximum number of terminals

Cross section	2,5 mm ²	4 mm ²	6 mm ²	10 mm ²	16 mm ²	35 mm ²
Quantity	22	18	13	11	9	0

Dimension drawing



* smaller dimension at the height of the mounting plate