

### Technical data:

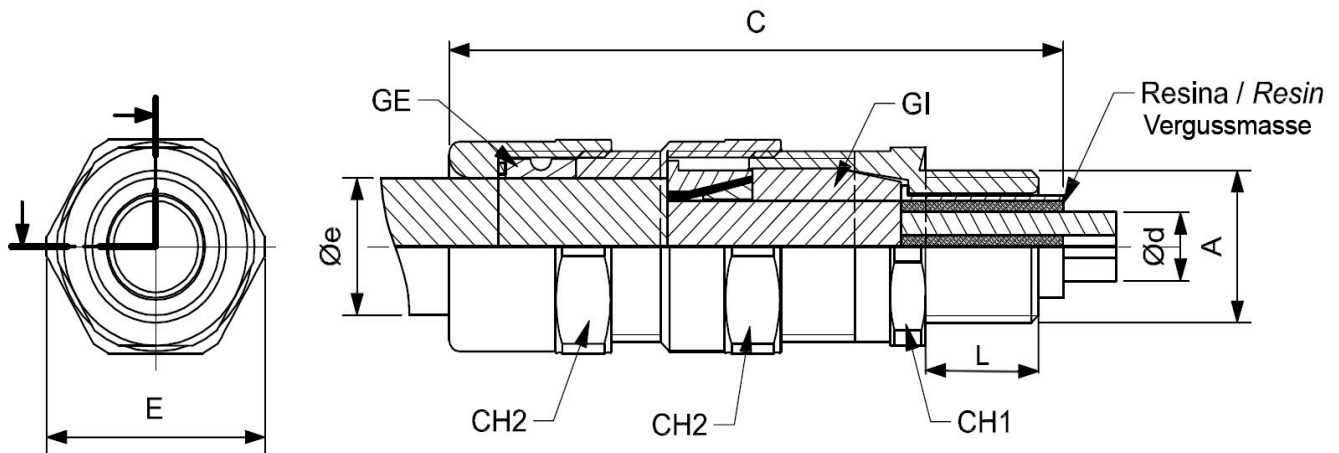
Material:	Nickel plated brass or stainless steel
Gasket:	EPDM
Cable Type:	<b>for armoured cable</b>
Thread:	Metric or NPT
Certifikat:	INERIS 10 ATEX 0029X IECEX INE 14.0003X
Ex-protection:	II 2G Ex d IIC Gb II 2G Ex e IIC Gb II 2D Ex tb IIIC Db
IP rate:	IP66
Tamb.:	-40°C... +100°C
sealed:	-20°C... +80°C

### Description

The cable gland Type **PMAX for armoured cable** can be used without sealing as well as barrier cable glands. Taking in account the latest revision of EN60079-14, it is possible, under certain conditions, to connect cables to flameproof boxes without sealing.

The multi-function cable gland Type PMAX is certified as a device and can be used with or without sealing. Without, only if the used cable meets the requirements of 9.3.2 of the standard with a length of at least 3 m. Each cable entry type PMAX is delivered with a sealing-sleeve. Therefore it is possible to seal the cables at any time with resin, especially if the cable is shorter than 3 m, or if the cable detection is missing.

The cable glands Type PMAX are available in nickel plated brass as well as in stainless steel with metric and NPT thread.



Type	A (ISO) Metric thread	article number brass	L NPT (ISO)	length C in mm	size CH1/CH2 in mm	clamping diameter Ø GI in mm	clamping diameter Ø GE in mm	E	Type	A (ANSI) NPT thread	article number brass
PMAX1NB	M 20x1,5	<b>104377</b>	18 (16)	87	26/28	4 - 12	6-18	31	PMAX1IB	1/2"	<b>105432</b>
PMAX2NB	M 25x1,5	<b>105102</b>	18 (16)	87	31/34	9 - 17	13-23	37	PMAX1IB	3/4"	<b>104144</b>
PMAX3NB	M 32x1,5	<b>106312</b>	23 (16)	109	42/45	14 - 23	18-30	49	PMAX1IB	1"	<b>104145</b>
PMAX4NB	M 40x1,5	<b>106314</b>	23 (18)	109	46/48	20 - 29	24-35	53	PMAX1IB	1 1/4"	<b>104481</b>
PMAX5NB	M 50x1,5	<b>106315</b>	23 (18)	109	56/58	20 - 35	26-43	64	PMAX1IB	1 1/2"	<b>106310</b>
PMAX6NB	M 63x1,5	<b>106316</b>	23 (18)	109	65/68	35 - 45	42-52	75	PMAX1IB	2"	<b>106311</b>

### Accessories:

- Tool (Exepd Art.-No.: 102162)
- Mixer (Exepd Art.-No.: 102165)
- Sealing resin (Exepd Art.-No.: 102164)

An assembling video you'll find under  
<http://www.exepd.de/Multifunktions-Kabeleinfuehrung.html>

