

## Technical specification

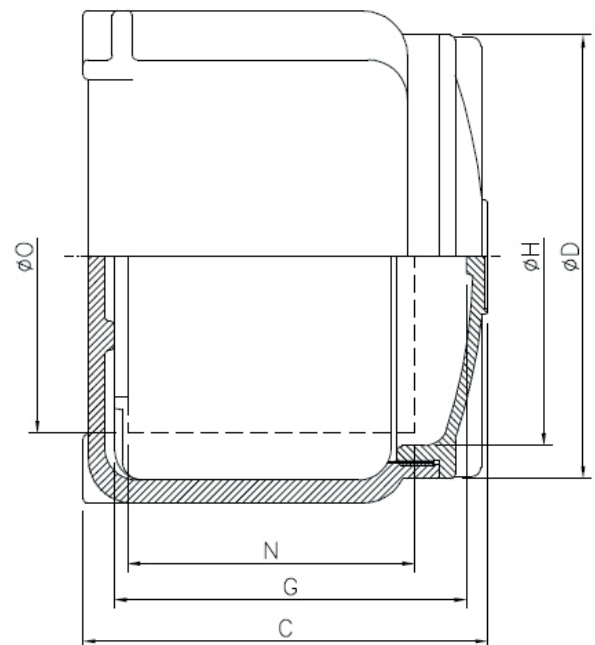
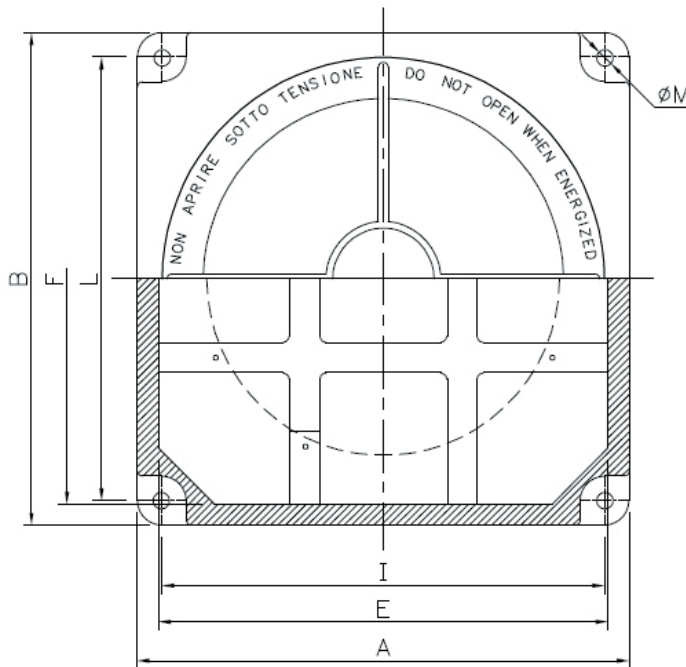
Material: Aluminium  
 Colour: outside RAL 7000, grey  
 anti-corrosion technology Aluminox  
 on request

Degree of protection: max. IP 66/67  
 Type of protection: II 2GD  
 Ex d IIC T4/T5/T6 Gb or  
 Ex d [ja] IIC T6  
 Ex tb IIIC T85°C/T100°C/T135°C Db

EC-type examination certificate: IMQ 10 ATEX 003  
 IECEx certificate: sought  
 Max. possible ambiente temperature: -20°C ... +80°C

## Description

The flame proof boxes type CCL are used for the implementation of nonEx components into hazardous area zone 1 and 21. In addition to that the side walls of the enclosure could also be equipped with signal and control units. The integration of the wall mounting bracket in the housing form allows a space-saving installation of the housing. They are individually equipped with customized elements, wired according to a circuit diagram and equipped with the appropriate cable glands.



Type	Externals dimensions				Internal dimensions				Dimensions assembly			internal space		Pvmax. T6@40°C	Weight kg
	A mm	B mm	C mm	ØD mm	E mm	F mm	G mm	ØH mm	I mm	L mm	ØM mm	N mm	ØO mm		
CCL 0	150	150	110	130	128	128	94	103	130	130	7	80	98	23	2.6
CCL 1	165	165	120	145	143	143	104	118	145	145	7	90	110	28	3.5
CCL 2	190	190	150	166	164	164	131	135	168	168	9	110	128	39	5.0
CCL 3	230	230	170	200	204	204	145	163	208	208	9	130	152	56	8.0
CCL 4	270	270	205	240	242	242	177	203	245	245	11	145	190	80	12.0
CCL 5	300	300	245	270	272	272	212	228	270	270	11	175	215	90	15.0
CCL 6	380	380	280	350	350	350	238	290	345	345	12	190	300	125	25.0
CCL 7	450	450	320	410	416	416	266	350	405	405	12	226	380	170	38.0
CCL 8	520	520	340	480	482	482	272	416	480	480	14	254	435	230	52.0