

Technical specification explosion protection

Exd OPT S HiRes IP Video Camera

Housing:	SO 57
Dimensions:	130x93 mm
Material:	aluminium with safety window
Type of protection:	II 2GD Ex d IIC T4/T5/T6 Gb Ex tb IIIC T85°C/T100°C/T135°C
IP protection:	IP66/67
Certificate:	BVI 14 ATEX 0068X IECEX EPS 14.0086X
Maximum application temperature:	-30°C to +60°C
Ex de connector:	ExLink



Description

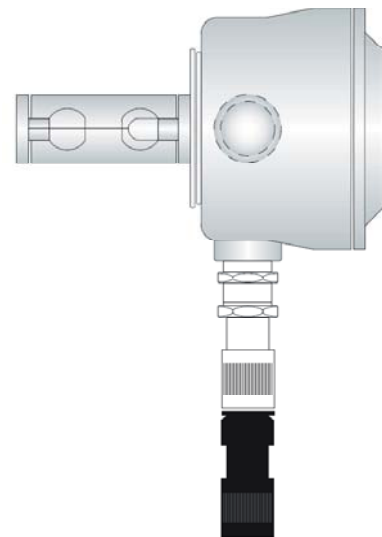
Together with our partner TecTrade Solution Exepd offer a complete camera system for application in potentially explosive atmospheres.

The intelligent, high-resolution, peripheral IP camera system with event-processing option is intended for optical process and system monitoring. The camera system is certified according to Directive 2014/34/EU for Zone 1 (gas subclass IIC) and for Zone 21.

For wall installation, a matching swivellable wall bracket for mechanical adjustment of the viewing angle is included in the scope of delivery.

Electrical connection is performed via a pre-assembled plugged connector of type exLink.

The image-processing software is included in the scope of delivery.



Camera features

- Digital swivelling, tilting, and zooming (variable up to 8x)
- Triggering of events by means of integrated multiple-window movement detection
- Day sensor HiRes
- Resolution max. 2048 x 1536 (3 Mega)
- Triggering of alarm
- Pre- and post-alarm images
- Alarm transmission to PLS via BUS or binary contacts (optional)
- Integrated image-processing function
- Power supply via POE (power over ethernet)
- Ethernet 10/100 interface

In case of questions about the camera system, please contact our partner:
 TecTrade Solution GmbH, Dr. Julius Leber Straße 17, 67433 Neustadt /Weinstr. Germany
 Tel.: 06321/499079 / Fax: 06321/952196 / E-Mail: info@tctradesolution-gmbh.de